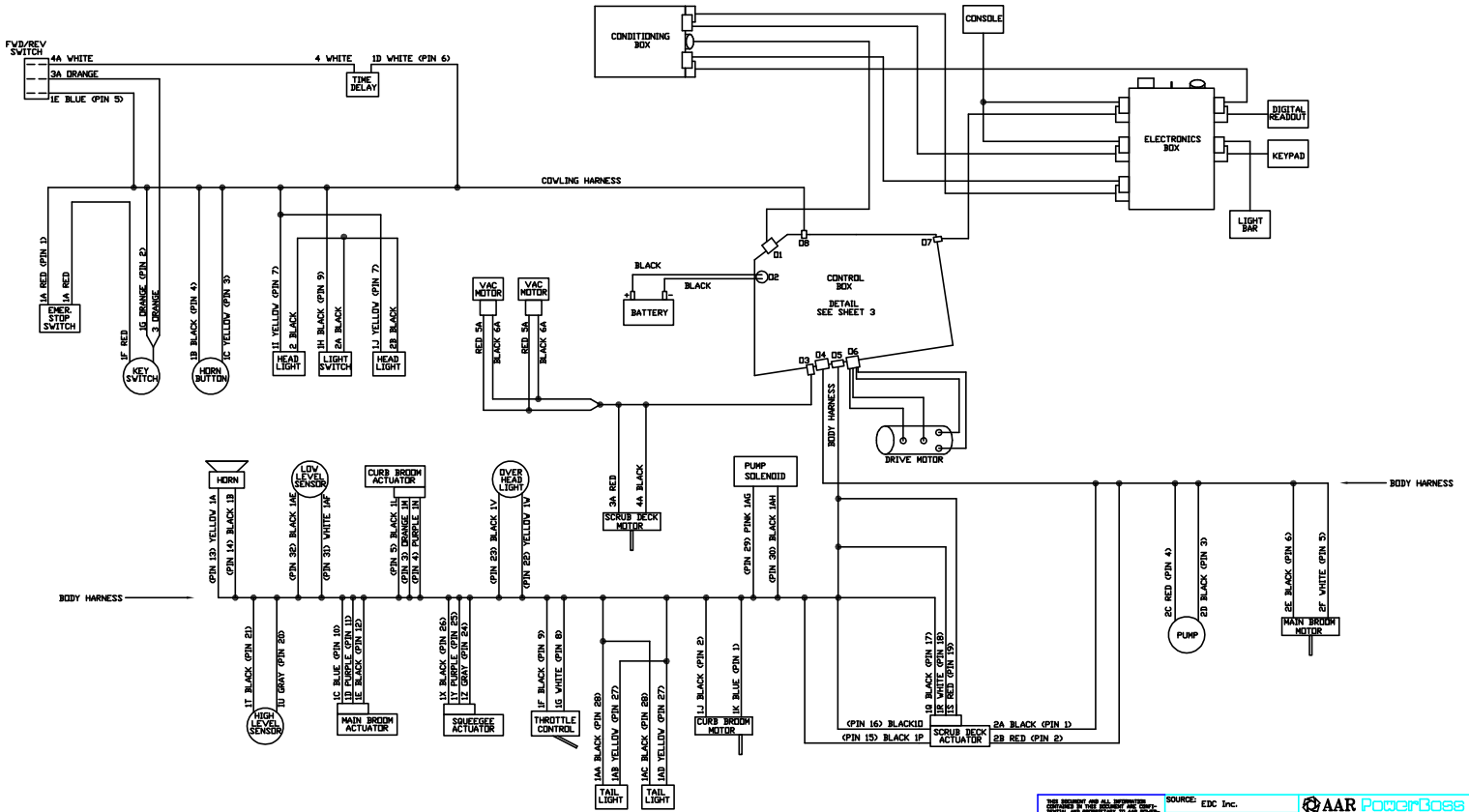


REV. ENR # DATE DESCRIPTION OF CHANGE-IS (NWS) BY:
 02 SCIS 7/31/96 RELEASED FOR PRODUCTION RD

323906A



<small>THESE DIMENSIONS ARE FOR INFORMATION ONLY. THE MANUFACTURER SHALL BE RESPONSIBLE FOR THE DESIGN AND CONSTRUCTION OF THE PART. THE MANUFACTURER SHALL BE RESPONSIBLE FOR THE DESIGN AND CONSTRUCTION OF THE PART. THE MANUFACTURER SHALL BE RESPONSIBLE FOR THE DESIGN AND CONSTRUCTION OF THE PART.</small>	SOURCE:	EDC Inc.	AAR PowerBoss Aberdeen, North Carolina 28315 PHONE: (910) 464-4700 FAX: (910) 464-4700 CAD: D. O'QUINN DATE: 7/31/96 DESCRIPTION: Diagram, TC/1 Wiring PART NO.: 323906 REV: A SMT NO.: 2 OF 3
	FINISH:	UNSPECIFIED TOLERANCES	
	DES. ENG.:		
	END. REL.:		